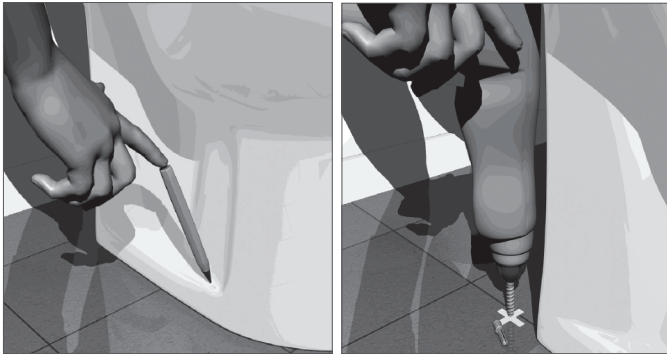
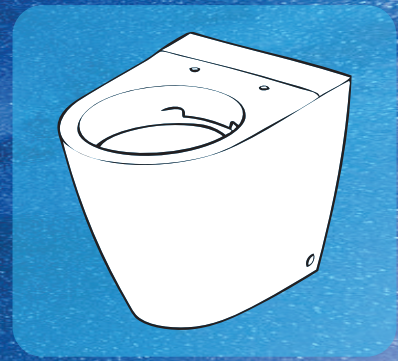


## PAN INSTALLATION INFORMATION



1

**Mark the site** of the fitting holes on the floor.



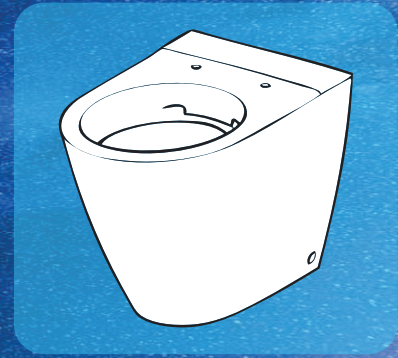
2

**Drill holes** and insert with the adapted peg.  
**Don't forget to tighten the waste**, before the simultaneous tightening of the screws.

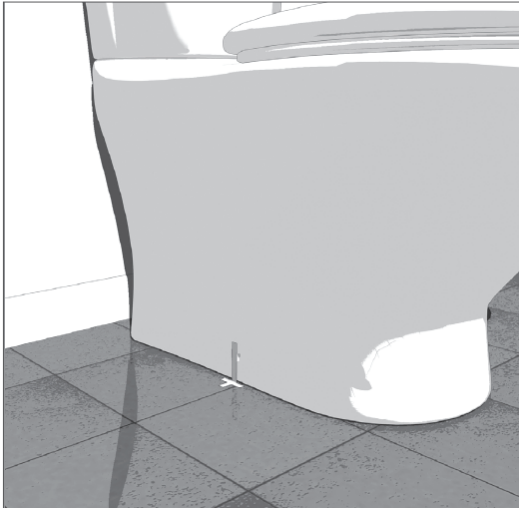


3

**Put the caps** on the screw heads.

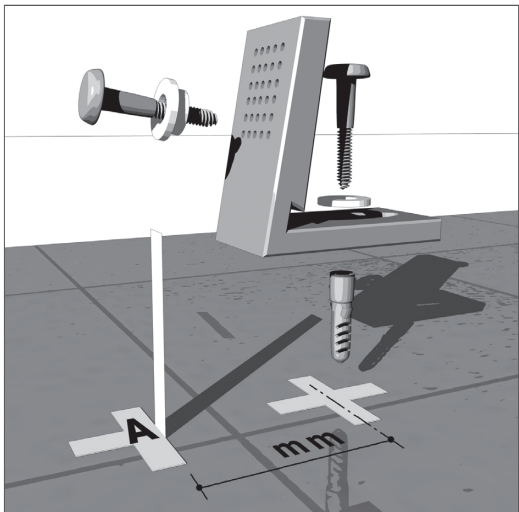


## PAN INSTALLATION INFORMATION



4

**Place the pan in its final position** and make a reference mark on the floor.



5

**The hole must be a specific distance from the reference mark A.** Drill holes and insert the provided peg.