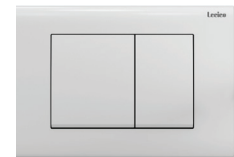




# VOLTA RIMLESS WHP COMBO

WITH SOFT CLOSE SEAT, CONCEALED CISTERN  
AND ACTUATOR PLATE



## VOLTA RIMLESS WALL HUNG PAN

<b>COLOUR</b>	WHITE
<b>MATERIAL</b>	VITREOUS CHINA
<b>WEIGHT</b>	28 KG

W 345 | H 340 | D 510

## CONCEALED CISTERN

<b>MATERIAL</b>	HDPE TANK (HIGH-DENSITY POLYETHYLENE)
<b>WEIGHT</b>	8.4 KG

W 455 | H 762 | D 80

## PUREPRESS ACTUATOR PLATE

<b>COLOUR</b>	CHOICE OF WHITE, CHROME, OR BLACK
<b>MATERIAL</b>	ABS PLASTIC
<b>WEIGHT</b>	0.4KG

W 245 | H 165 | D 12

### COMBO PRODUCT CODES FOR PUREPRESS ACTUATOR PLATES



**COMBO WITH WHITE PUREPRESS ACTUATOR PLATE:**  
COMBOCONWHVOLUS



**COMBO WITH CHROME PUREPRESS ACTUATOR PLATE:**  
COMBOCONCHVOLUS



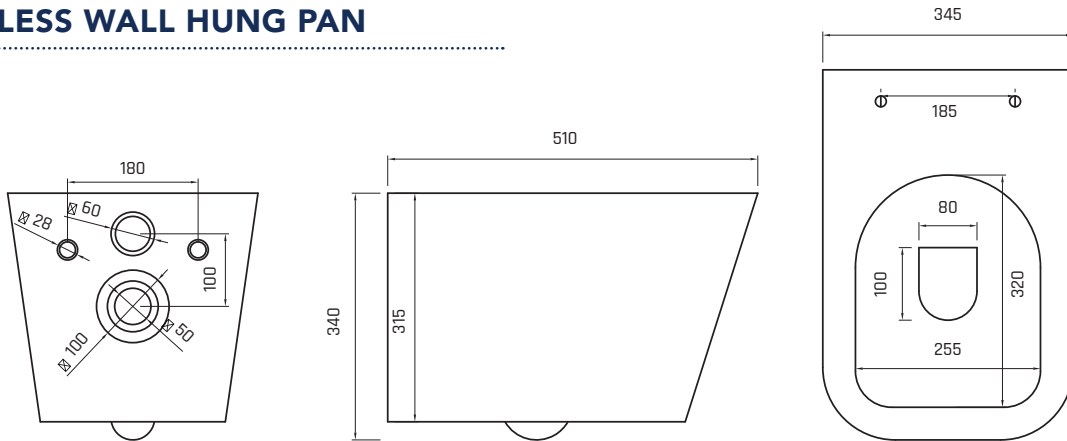
**COMBO WITH BLACK PUREPRESS ACTUATOR PLATE:**  
COMBOCONBLVOLUS



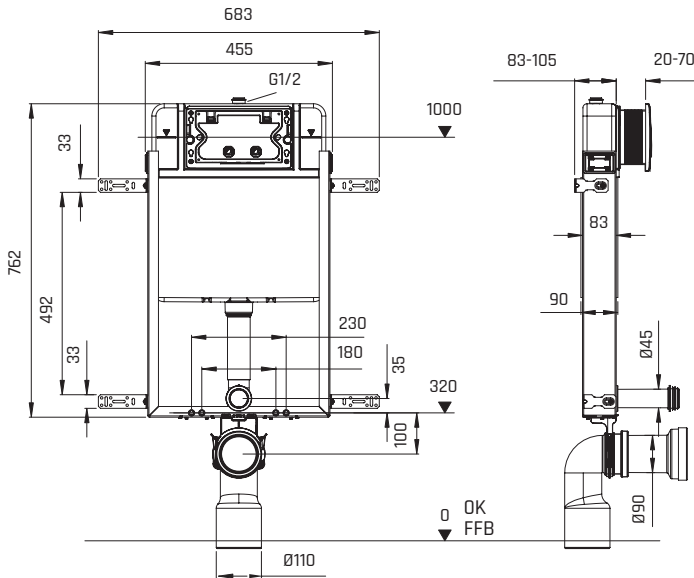
# VOLTA RIMLESS WHP COMBO

## WITH SOFT CLOSE SEAT, CONCEALED CISTERN AND ACTUATOR PLATE

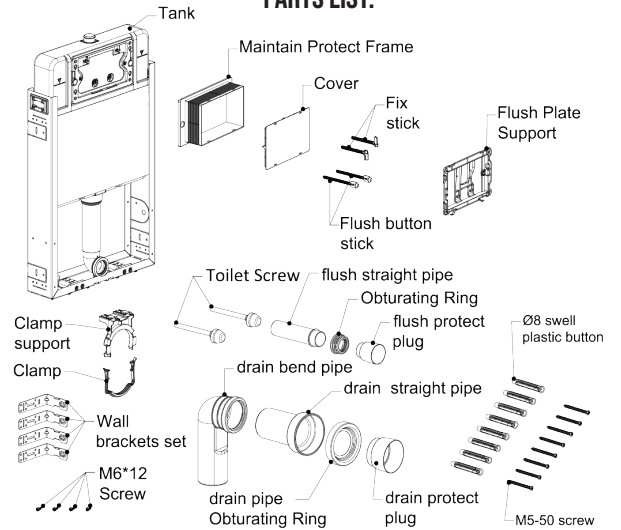
### VOLTA RIMLESS WALL HUNG PAN



### CONCEALED CISTERN



#### PARTS LIST:



### PUREPRESS ACTUATOR PLATE

AVAILABLE IN WHITE, CHROME, OR BLACK

