



STILE RIMLESS WHP COMBO

WITH SOFT CLOSE SEAT, CONCEALED CISTERN
AND ACTUATOR PLATE



STILE RIMLESS WALL HUNG PAN

COLOUR WHITE

MATERIAL CERAMIC

WEIGHT 21 KG

W 365 | H 363 | D 475

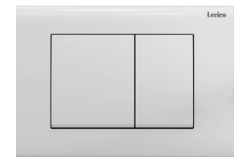


CONCEALED CISTERN

MATERIAL HDPE TANK
(HIGH-DENSITY POLYETHYLENE)

WEIGHT 8.4 KG

W 455 | H 762 | D 80



PUREPRESS ACTUATOR PLATE

COLOUR CHOICE OF WHITE,
CHROME, OR BLACK

MATERIAL ABS PLASTIC

WEIGHT 0.4KG

W 245 | H 165 | D 12

COMBO PRODUCT CODES FOR PUREPRESS ACTUATOR PLATES



COMBO WITH WHITE PUREPRESS ACTUATOR PLATE:
COMBOCONWHSTIUS



COMBO WITH CHROME PUREPRESS ACTUATOR PLATE:
COMBOCONCHSTIUS

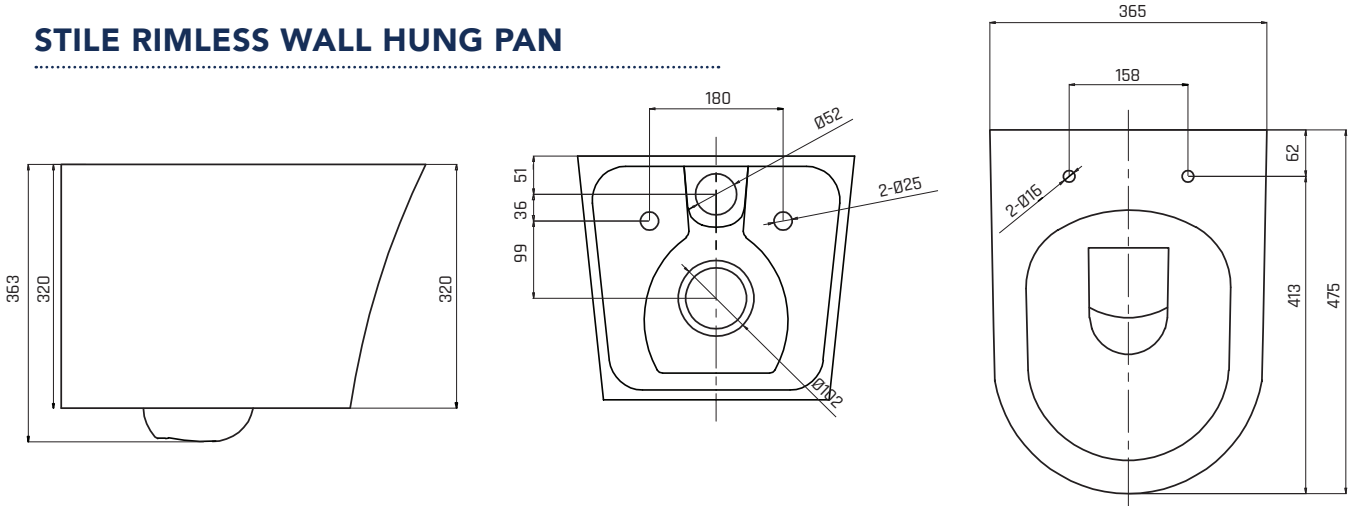


COMBO WITH BLACK PUREPRESS ACTUATOR PLATE:
COMBOCONBLSTIUS

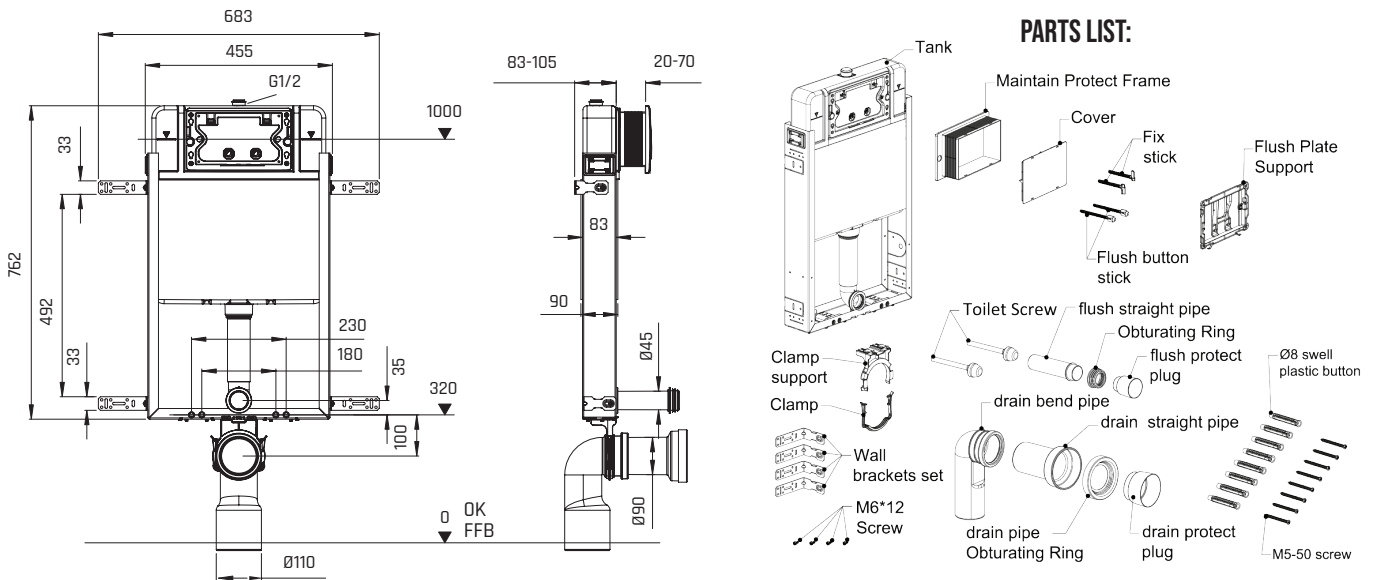
STILE RIMLESS WHP COMBO

WITH SOFT CLOSE SEAT, CONCEALED CISTERN AND ACTUATOR PLATE

STILE RIMLESS WALL HUNG PAN



CONCEALED CISTERN



PUREPRESS ACTUATOR PLATE

