

## MANUAL 1 - USER GUIDE

# CONCEALED CISTERN

PARTS LIST, DIMENSIONS AND  
INSTALLATION STEPS

### WARRANTY INFORMATION:



**10 YEAR**  
LIMITED WARRANTY

INSTALLATION FRAME  
AND CONCEALED  
CISTERN TANK

**HOUSEHOLD USE**



**5 YEAR**  
LIMITED WARRANTY

INSTALLATION FRAME  
AND CONCEALED  
CISTERN TANK

**COMMERCIAL USE**



**2 YEAR**  
LIMITED WARRANTY

MECHANICAL FLUSH/  
ACCESS PLATES



**2 YEAR**  
LIMITED WARRANTY

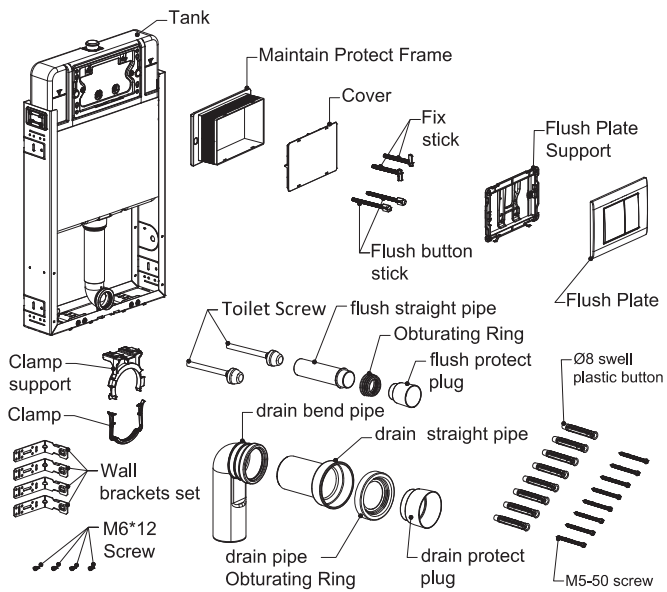
INLET AND OUTLET  
VALVE PRODUCTS

#### WARRANTY EXCLUDES:

Damage caused by improper installation of the product, abnormal use, storage under abnormal conditions, and exposure to excessively high or low environmental conditions;

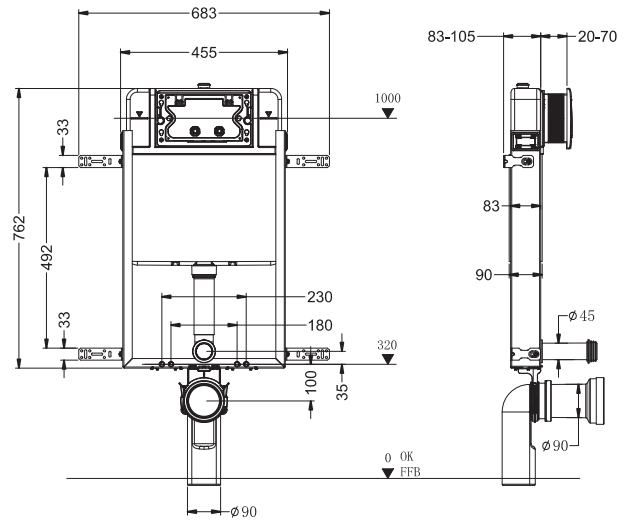
Product failure or component damage caused by the use of corrosive detergent or disinfectant.

## Parts List



**Tips:**  
 \ ~ Please install this product before paving tiles. Before installing, confirm the installation location and confirm the horizon after the completion of the project. Draw the horizon  $\nabla$  on the installation wall. This product is installed as a baseline  $\nabla$  for the installation height.

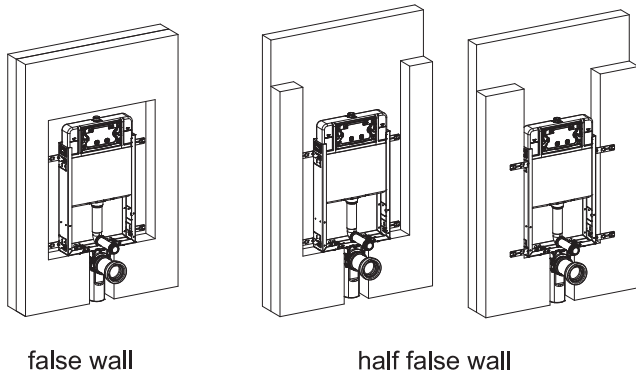
## Product specifications



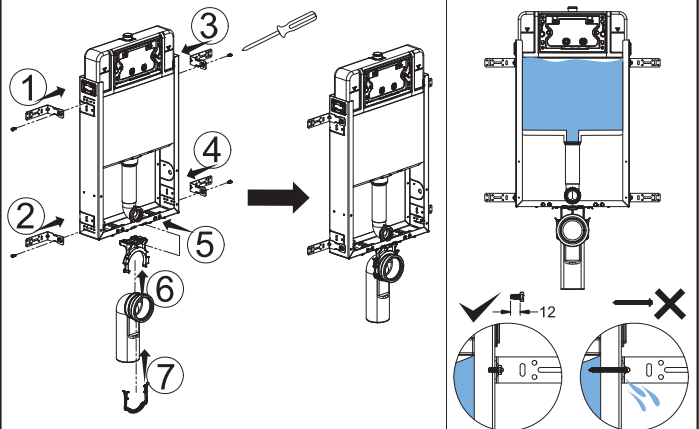
Note: Slim type can be installed in the 103mm thick wall.

## Installation Steps

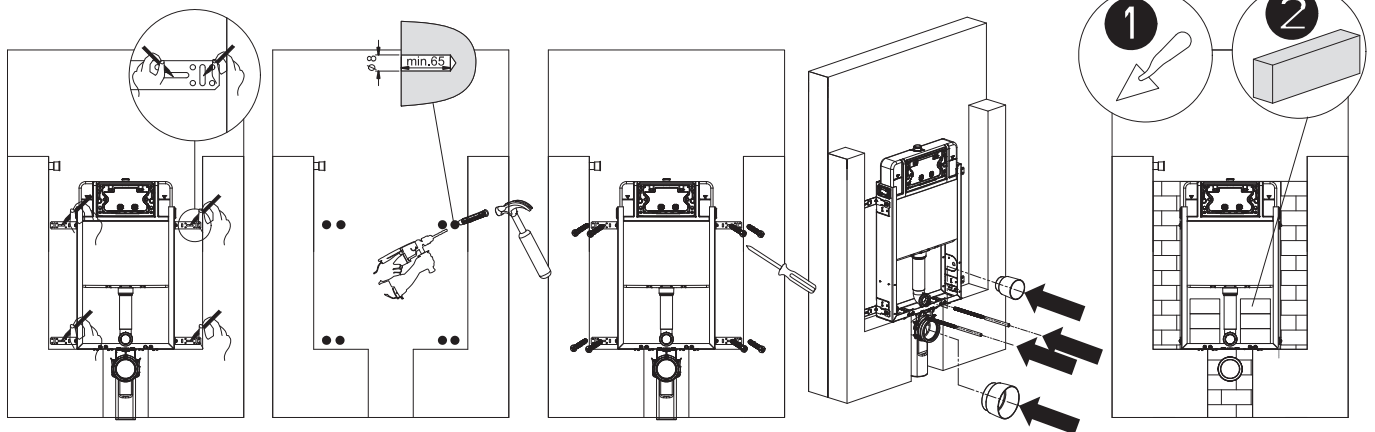
### 1.False wall (half false wall)



### 2.Assemble wall brackets to the metal frame

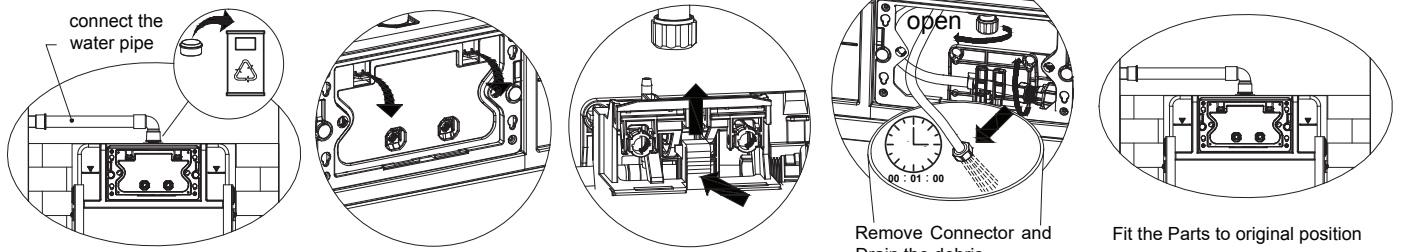


### 3.Install the cistern

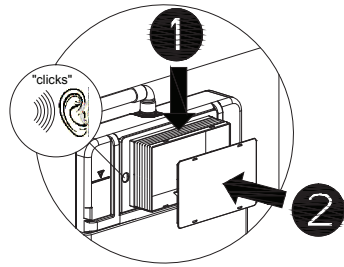


NOTE: the size unit is mm,  $\nabla$  = the floor height after the project. The fill water pressure and stop filling pressure is between 0.01MPa-2.0MPa, water temperature: 2°C-45°C, flush volume can be adjustable.

## 4. Water Connection

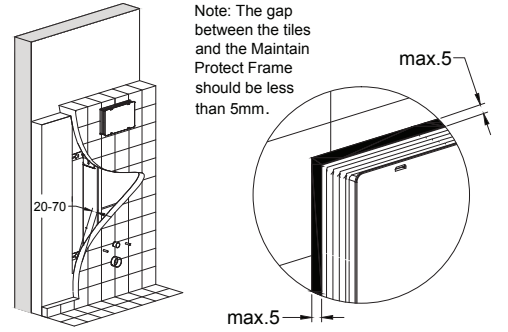


## 5. Preparation before Plastering

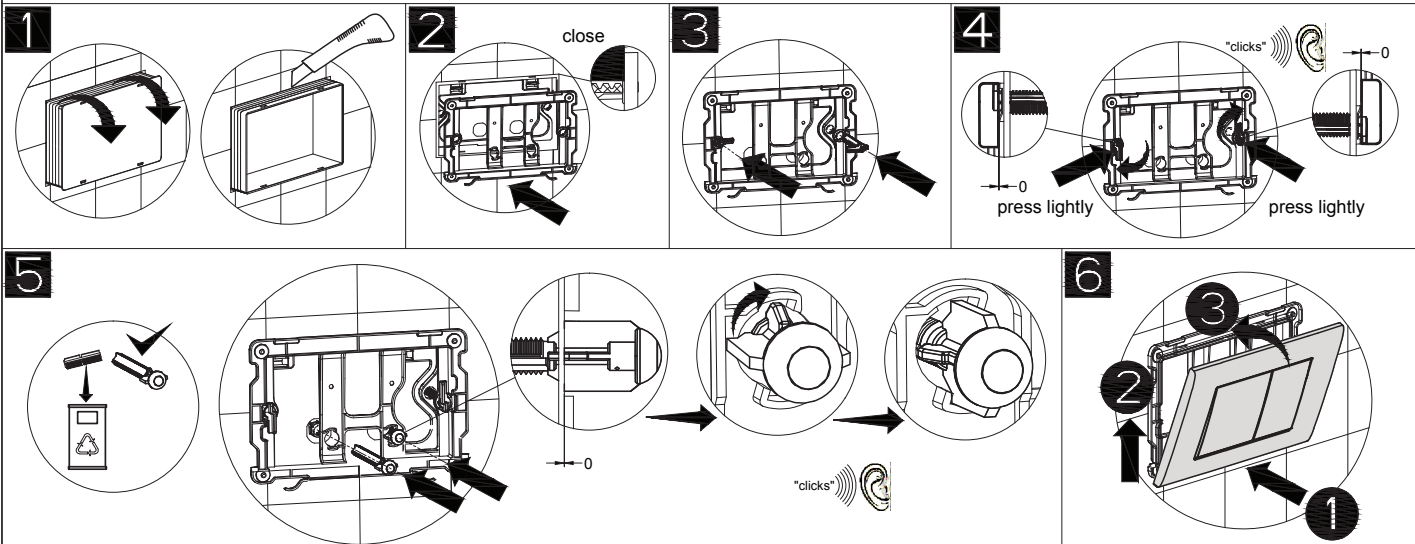


Tips:  
Before plastering, please check that there are no leaks.

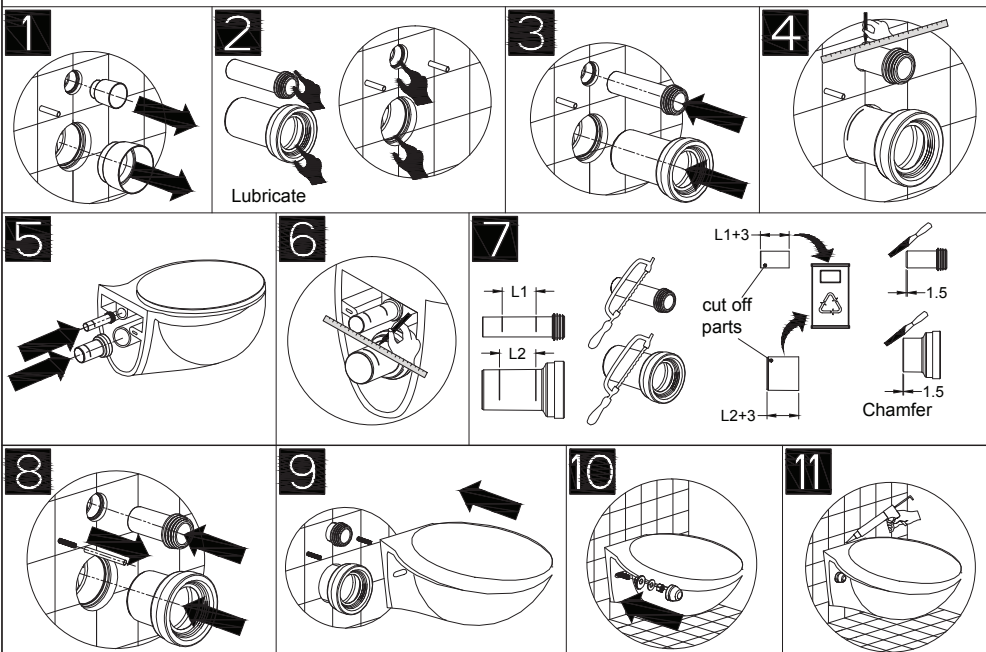
## 6. Plastering



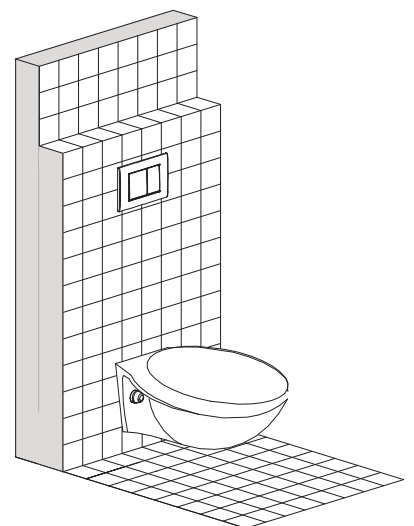
## 7. Flush Plate Installation



## 8. Pan Installation



## 9. Completed Installation



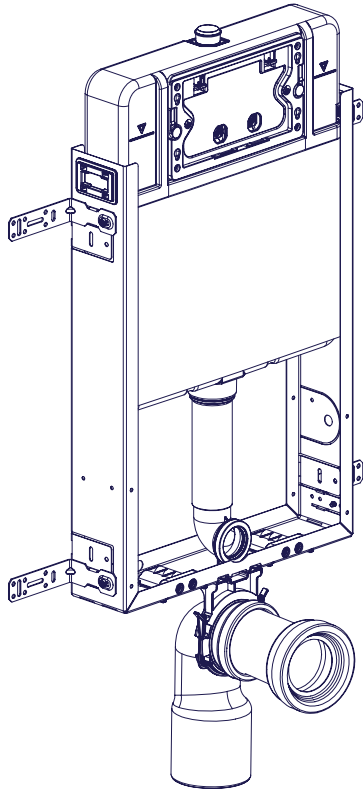


# Lecico

we make bathrooms beautiful

36 Peter Barlow Street  
Bellville | Cape Town  
South Africa

+ 27 (21) 531 9848  
[info@lecicosa.co.za](mailto:info@lecicosa.co.za)  
[www.lecicosa.co.za](http://www.lecicosa.co.za)



## MANUAL 2 - MAINTENANCE GUIDE

# CONCEALED CISTERN

### WARRANTY INFORMATION:



**10 YEAR**  
LIMITED WARRANTY

INSTALLATION FRAME  
AND CONCEALED  
CISTERN TANK

**HOUSEHOLD USE**



**5 YEAR**  
LIMITED WARRANTY

INSTALLATION FRAME  
AND CONCEALED  
CISTERN TANK

**COMMERCIAL USE**



**2 YEAR**  
LIMITED WARRANTY

MECHANICAL FLUSH/  
ACCESS PLATES



**2 YEAR**  
LIMITED WARRANTY

INLET AND OUTLET  
VALVE PRODUCTS

#### WARRANTY EXCLUDES:

Damage caused by improper installation of the product, abnormal use, storage under abnormal conditions, and exposure to excessively high or low environmental conditions;

Product failure or component damage caused by the use of corrosive detergent or disinfectant.

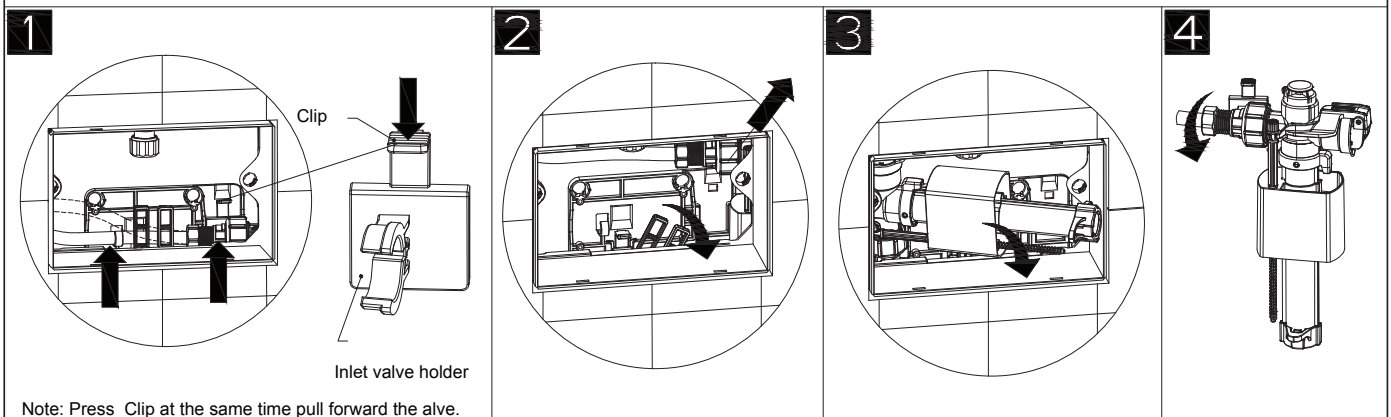
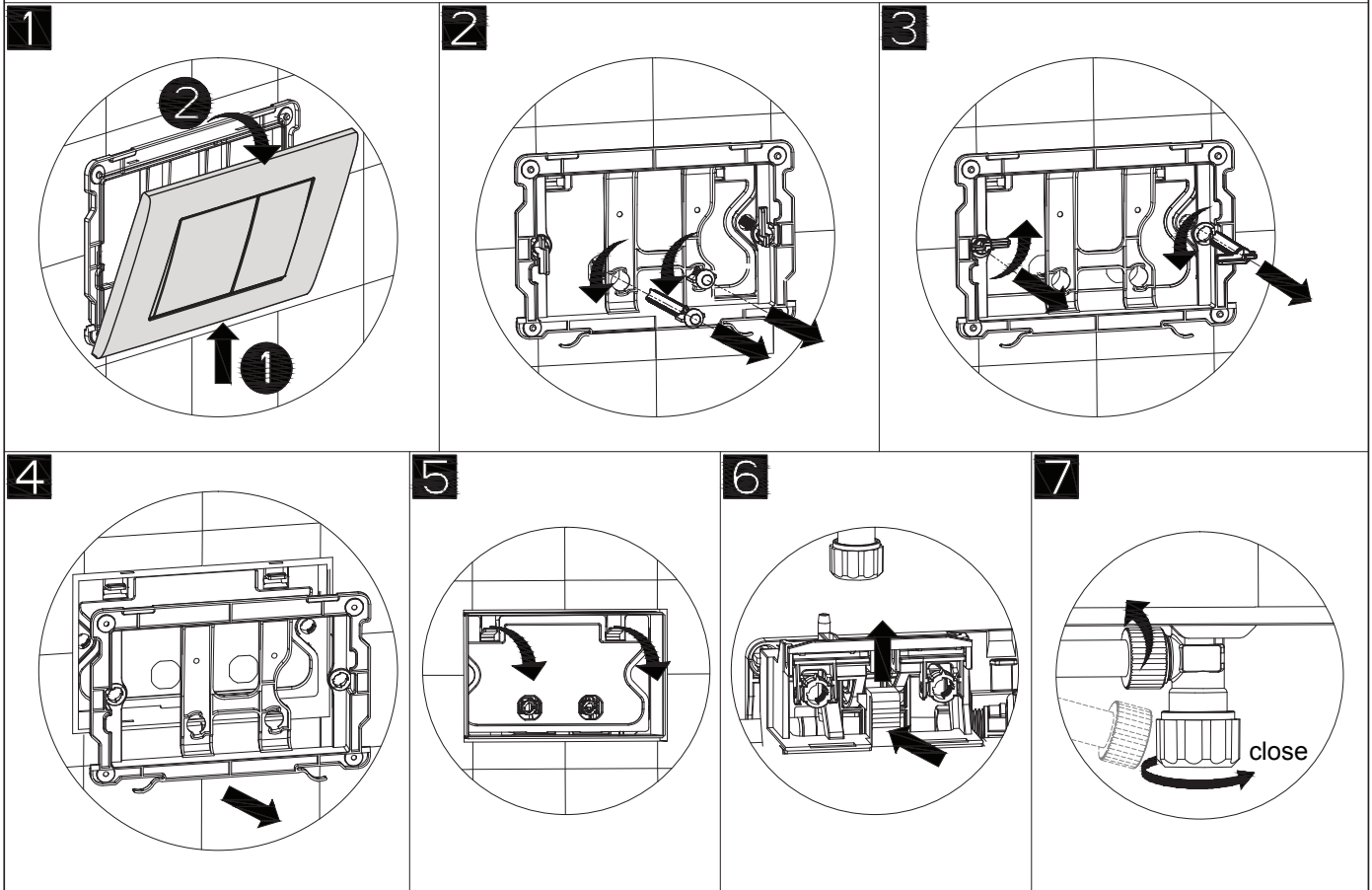
**Lecico**  
we make bathrooms beautiful

36 Peter Barlow Street | Bellville | Cape Town | South Africa  
+ 27 (21) 531 9848 | info@lecicosa.co.za | www.lecicosa.co.za

# CONCEALED CISTERN MAINTENANCE GUIDE



## Removing The Inlet Valve



## Removing The Flush Valve

